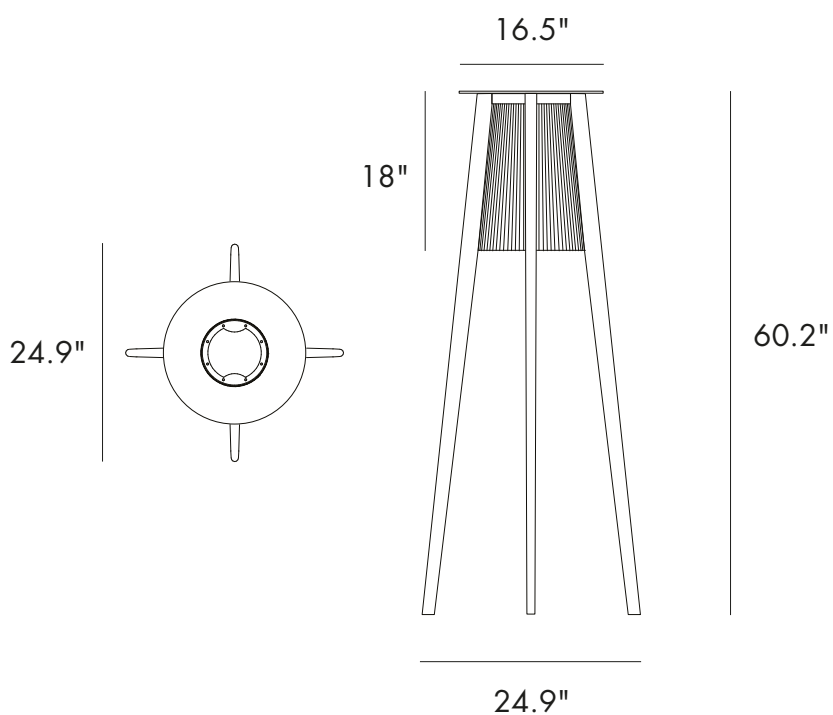




LUNA STANDING LAMP



PRODUCT ID 45102

MEASUREMENT

16.5" dia.Top x 60.2" H

Base - 24.9"

Table Top Thickness - 0.5"

WEIGHT 28 lbs.

ASSEMBLY

Some Assembly required.

MATERIAL

Premium grade teak from renewable plantations and powder-coated aluminum.

888.592.8325 | www.westminsterteak.com
FLORIDA | CALIFORNIA | SHOWROOM 2915 Red Hill Ave B107, Costa Mesa, CA 92626