



WESTMINSTER TEAK



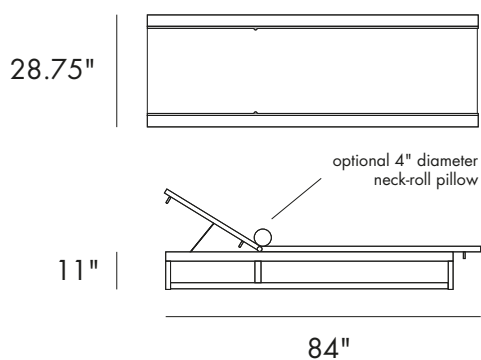
MAYA SLING LOUNGER

PRODUCT ID 16771DP

MEASUREMENT

84" L x 28.75" W x 11" H

WEIGHT 54 lbs.



ASSEMBLY

No Assembly Required.

MATERIAL

Premium Grade teak from renewable plantations.

316 Stainless Steel Hardware.

Textilene® Sling Mesh.

888.592.8325 | www.westminsterteak.com
FLORIDA | CALIFORNIA | SHOWROOM 2915 Red Hill Ave B107, Costa Mesa, CA 92626

Westminster Teak reserves the right to make modifications without notice, at anytime, that it might deem appropriate to its products, whether they may be of aesthetic or technical in nature. Copyright 2009 - 2026. Westminster Teak, Inc.