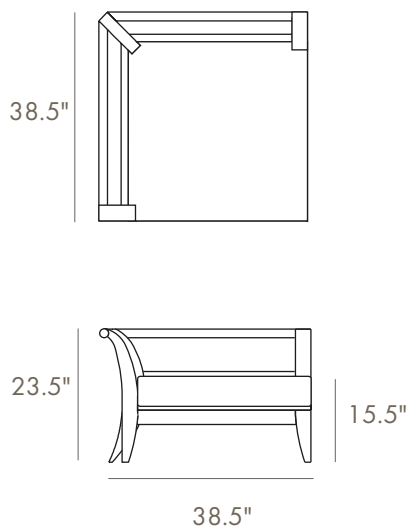




AMAN DAIS CORNER SECTIONAL



PRODUCT ID 16765DP

MEASUREMENT

38.5" W x 38.5" D x 23.5" H

30.5" SW x 30.5" SD x 10.5" SH

(Shown with 5" cushion)

WEIGHT 64 lbs.

(Weight includes cushion)

ASSEMBLY

Very Little Assembly Required.

MATERIAL

Premium teak from renewable plantations.

Foam core cushion with dacron wrap.

Sunbrella® fabric cover.

888.592.8325 | www.westminsterteak.com

FLORIDA | CALIFORNIA | SHOWROOM 2915 Red Hill Ave B107, Costa Mesa, CA 92626